



## MICRO RAIN MODELS



### MR43

The MR43 meets a variety of irrigation needs including single pass coverage on football fields, large riding arenas, small acreage irrigation, and much more. Built with a three wheel chassis design and integrated stabilizer hitch, the MR43 has a flow range from 15 to 60 gallons per minute and a 393 feet hose length. The MR43 can water up to 1.5 acres in a single pull.

**Gun:** Sime-K1 with 9/10/12mm nozzle



### MR58

The MR58 carries either 460' or 656' of tube length. With flows up to 100 gallons per minute, the MR58 is capable of watering up to 2 acres in a single pass. This model is popular for larger sports fields, hobby farms, pastures, and more.

**Gun:** Sime-Hydra with 12/14/16mm nozzle



### MRR58

The MRR58 is similar to the MR58 reel, except it has an increased 656' hose capacity, a rotating base, and a more robust galvanized frame and chassis.

**Gun:** Sime-Hydra with 12/14/16mm nozzle

## APPLICATIONS

- Sports Fields
- Golf courses
- Pastures
- Acreages
- Dust control
- Vegetable Gardens
- Riding Arenas
- Driving Ranges
- Nurseries
- Berry Fields

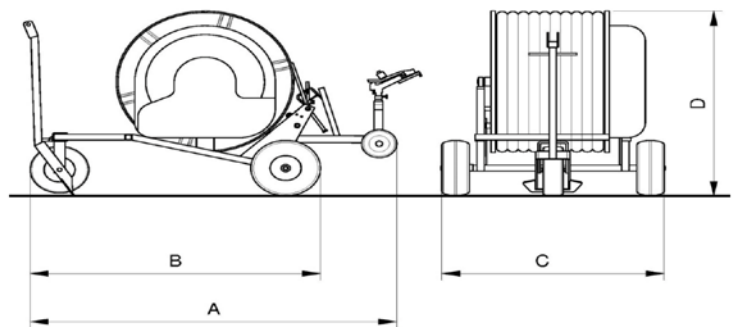
## FEATURES

- Small compact design
- Automatic shutdown when retracted
- Powered by low maintenance turbine
- Scroll levelwind
- Tube miswrap safety
- Variable speed control
- High quality HDPE tube
- Easy winter draining
- PTO rewind (not on MR32)
- Adjustable part circle sprinkler gun

## OPTIONS

- Booster pump
- Engine drive for slurry applications
- Blow out compressor
- Rewind by engine
- Rotating base on MRR58

## OVERALL DIMENSIONS



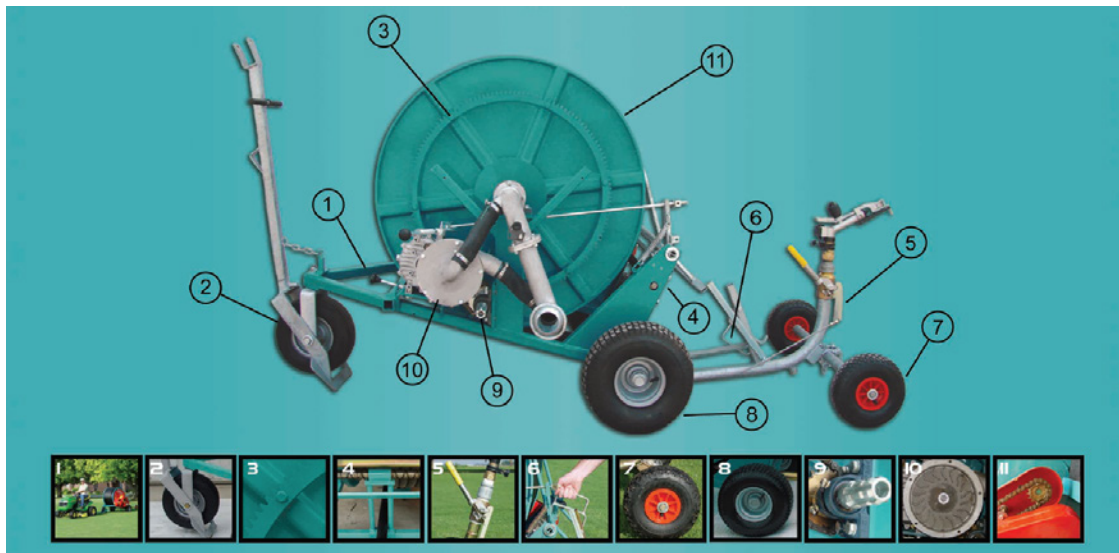
MODEL	A cm.	B cm.	C cm.	D cm.
MR43	195	150	128	126
MR58	270	190	130	162
MRR58	330	250	130	192

Performance Chart

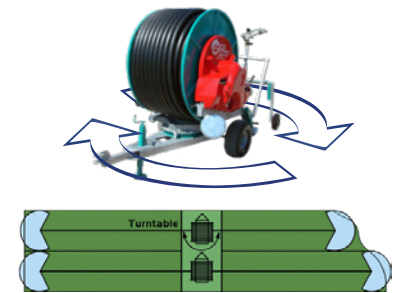


### MICRO RAIN PERFORMANCE

MODEL NUMBER	MACHINE WEIGHT	FLOW RATE	INLET PRESSURE	SPRINKLER PRESSURE	NOZZLE SIZE	IRRIGATED WIDTH (80%)	MAX RUN LENGTH	AREA PER RUN	RETRACTION RATE (ft/h) @ APPLICATION DEPTH						
									LBS	GPM	PSI	PSI	MM	FEET	FEET
MR43 (1.43" x 393')	538	15	45	30	8	90	449	1.02	64	32					
		23	65	45	9	102	457	1.04	88	44	29	22			
		28	70	45	10	107	460	1.10	102	51	33	26			
		40	90	45	12	126	471	1.32	122	61	41	30	20		
		60	138	70	12	152	488	1.63	153	76	51	38	26	19	
MR58 (1.9" x 460')	880	40	65	45	12	110	539	1.30	140	70	47	35	24	17	
		59	73	45	14	131	542	1.58	174	87	58	44	29	22	
		73	92	60	14	152	555	1.87	186	93	62	47	31	23	
		82	117	75	14	163	562	2.02	194	97	65	49	33	24	
		103	134	75	16	173	568	2.17	230	115	77	58	39	29	
MRR58 (1.9" x 656')	1,420	40	55	30	12	106	726	1.75		73	49	37	25	17	
		48	75	45	12	125	738	2.11		74	49	37	25	19	
		67	95	45	14	138	746	2.36		94	63	47	32	21	
		75	115	55	14	155	757	2.69		93	62	47	31	22	
		90	125	50	16	154	756	2.67		85	57	43	29	23	



**MRR58 Rotating Base**  
Two pulls from one position.



- 1) **Chassis:** 3-wheel design provides a stable base and easy to tow behind small powered vehicles and room for mounting booster pumps.
- 2) **Hitch:** Heavy-duty galvanized design with strong hinge points and doubles as the anchor or stabilizer when raised in operation position. One part number serves two functions.
- 3) **Drum gear:** Heavy-duty drive gear is bolted to the reel so if the need ever arises, it can be replaced with simple tools. No need for a cutting torch and welder.
- 4) **Levelwind:** Scroll levelwind wraps tube accurately on the reel as the machine operates. No chains or gearboxes.
- 5) **Shutoff:** Micro Rains were all designed with mechanical water shutoffs. These creative shutoffs eliminate the tubes, filters, valves actuating devices normally associated with traveler shutoffs.

- 6) **Cart lift:** A one-piece hanger is incorporated as part of the sprinkler cart to easily hang the cart on the machine. The MR58 cart lifts automatically onto the machine at the end of the run.
- 7) **Cart tires:** MR 43 and larger machines all have pneumatic wheels.
- 8) **Rear wheels:** Sealed bearings with wide turf tires. Eliminates the need to grease on a regular basis. Turf tires provide support to help keep machine from rutting in soft or wet soils.
- 9) **PTO Rewind:** Used to make small adjustments or to wind machine up if the needs arises to service or if field is wet.
- 10) **Turbine:** The ultimate design in drive trains for small travelers. Compact direct coupled, eliminates belts, pulleys, springs and unnecessary parts and pieces.
- 11) **Chain cover:** Levelwind chain cover completely wraps the chain reducing exposure to rain, dust and hard water being pumped. This increases the longevity of the chain and reduces maintenance.